

# Intumescent Fire Rated Pipe Collars

*Retrofit Pipe Collars with 2 and 3 hrs fire rated protection  
Tested to AS1530.4*



*Technical Data Sheet*

## KEY BENEFITS

- High performance 2 and 3 hrs Fire Rating
- Approved for Plasterboard, Masonry and Speedpanel walls & floors
- Simple to use and install
- Improved acoustic properties
- Sizes available from 25mm – 330mm diameter
- Tested to AS1530.4

## INTRODUCTION



BOSS Retrofit Fire Collars prevent the spread of fire where PVC and PE plumbing pipes penetrate concrete fire walls and floors. Also for use on PP-R pipes, and polybutylene pipes.

Boss Fire Collars are suitable for on walls and floors. With the addition of the optional 'click on' flange oversize holes may be accommodated.

Unlike intumescent assisted mechanical damper type fire collars, Boss Fire Collars contain no fusible links or moving parts to require servicing. As the fire stopping intumescent material in our product is around the outside of the uninterrupted pipe it does not affect the performance of the pipe.

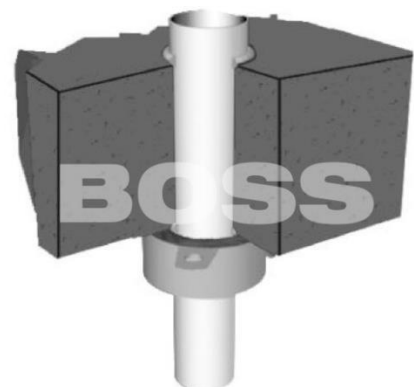
## INSTALLATION

The collars are designed to be bolted to the underneath of the concrete floor or surface mounted to walls. In wall situations one collar should be used on the outside of each face of the fire rated wall.

To fit the collar, open the collar by twisting the body to unlatch the holding clip and widen the opening to allow it to wrap around the pipe. Close the collar around the pipe and refasten the holding clip.



Using all fixing tabs, fasten with an approved all-steel anchors to the fire rated wall or floor. To ensure an acoustic and smoke seal around the pipe use FireMastic-300 fire rated sealant.



**SIZES**

Part ID	Description
RFC-25	25mm Retrofit Collar
RFC-32	32mm Retrofit Collar
RFC-40	40mm Retrofit Collar
RFC-50	50mm Retrofit Collar
RFC-65	65mm Retrofit Collar
RFC-80	80mm Retrofit Collar
RFC-100	100mm Retrofit Collar
RFC-150	150mm Retrofit Collar
RFC-200	200mm Retrofit Collar
RFC-250	250mm Retrofit Collar
RFC-315	315mm Retrofit Collar

**LIMITATION**

BOSS Fire & Safety Pty Ltd has provided the above technical information in good faith and to the best of its knowledge. This information was deemed to be correct at the time of publication. Should any data come to BOSS Fire & Safety’s attention relating to the fire resistance or performance of the product described, BOSS Fire & Safety reserve the right to amend this report.

BOSS Fire & Safety strive to constantly improve and develop products so this information may change without notice.

